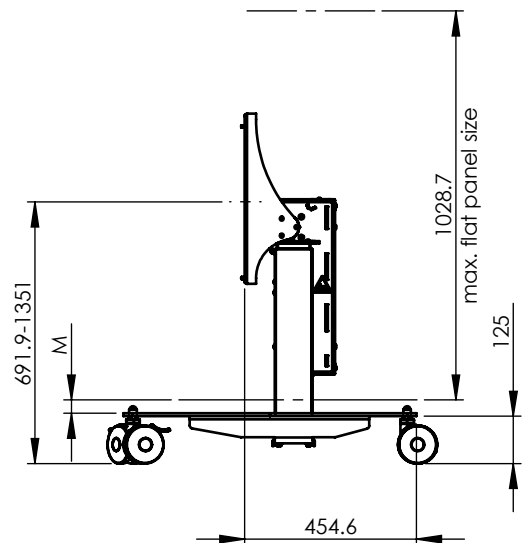
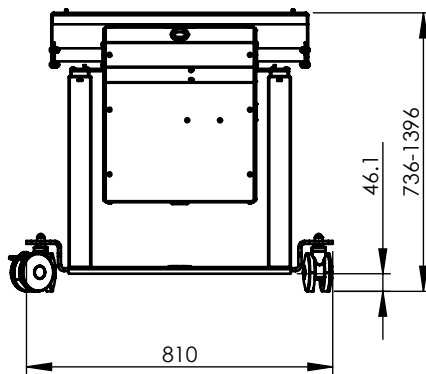
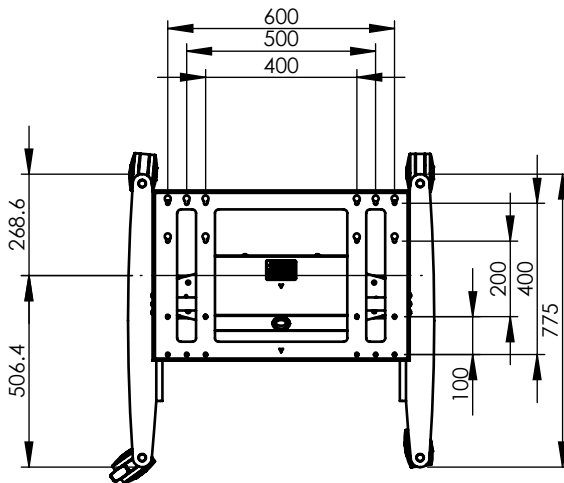


Dimensions	mm [inch]
Revision	00
Sheet size	A4
Projection	⊕ ⊞
Net weight	56 kg
Gross weight	62.3 kg
Max. load	100 kg



M = minimal free space of 35 mm