

Universal Flat Screen Wall Mount For Medium Screens

For more information please visit www.btechavmounts.com/BT8421-PRO

BT8421-PRO

Registered Design Number: 001713280-0033



MAXIMUM FIXING DIMENSIONS
 HORIZONTAL: 465mm (18.3")
 VERTICAL: 400mm (15.7")

BT8421-PRO Universal Flat Screen Wall Mount

Designed for flat screens up to 55" (139cm) / 35kg (77lbs)

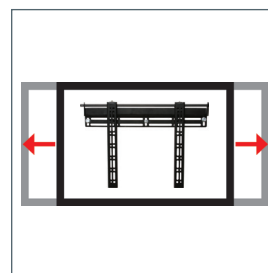
- Fits screens with mounting patterns up to: H: 465mm (18.3") x V: 400mm (15.7") including VESA® fixings up to 400 x 400mm
- Low profile design mounts screen only 30mm (1.2") from wall
- Features 'OWLS'™ On Wall Levelling System
- Post installation screen alignment
- Suitable for concrete / brick or up to 16" stud walls
- Security locking screws, Allen key and locking bar provided for secure installation
- Universal screen fixing kit supplied, including M4, M5, M6 and M8 screws
- Simple 'hook-on' installation with all mounting hardware included
- Available in Black



Only 30mm (1.2") from wall
 Low profile design for close to the wall installation



Features locking bar for secure installation



Post installation screen alignment



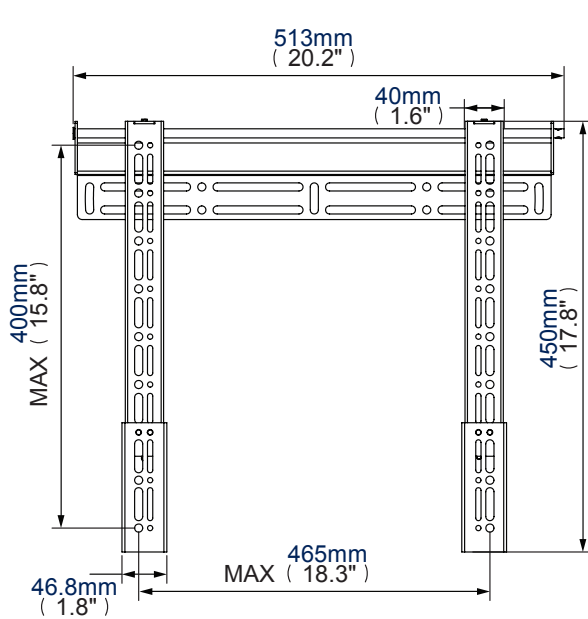
Comprehensive screen fixing kit included

Universal Flat Screen Wall Mount For Medium Screens

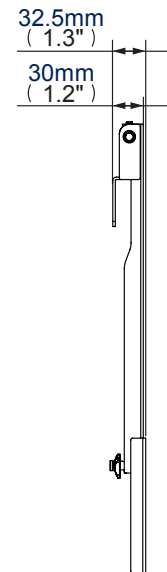
For more information please visit www.btechavmounts.com/BT8421-PRO

BT8421-PRO

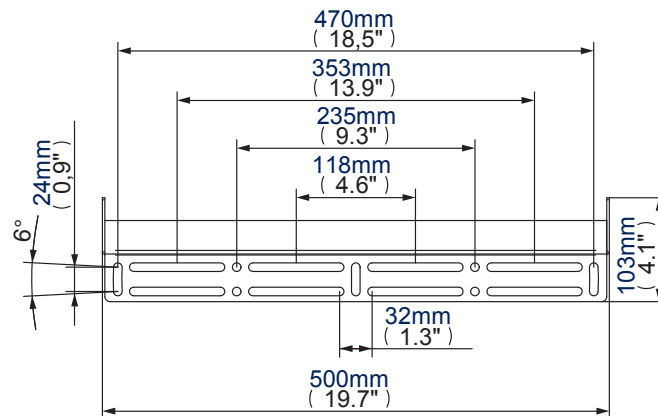
Registered Design Number: 001713280-0033



Front View



Side View



Wall Plate

| Colour: | Order Ref: | EAN Code: | Master Carton Qty: | Inner Carton Qty: | Master Carton Weight: | Master Carton Cube: |
|---------|--------------|---------------|--------------------|-------------------|-----------------------|----------------------|
| Black | BT8421-PRO/B | 5019318082009 | 8 | 2 | 23.12kg (50.85lbs) | 1.62 cuft (0.046cbm) |

This information is intended as a guide only and reflects the current specification at the time of print. B-Tech accepts no liability for the accuracy of the information contained in this document.