

50mm Accessory Collar

 For more information please visit www.btechavmounts.com/BT7841

BT7841



BT7841

50mm Accessory Collar

Designed to attach mounts and accessories to Ø50mm (2") poles

- 2-piece Accessory Collar for use with Ø50mm poles
- Can be retro fitted to existing installations
- Split design allows collar to clamp tightly to poles without marking them
- One collar supplied
- Available in Black



Ideal for mounting accessory shelves to Ø50mm poles



Grub screws provide additional support if necessary



Split design allows retro fitting to existing installations

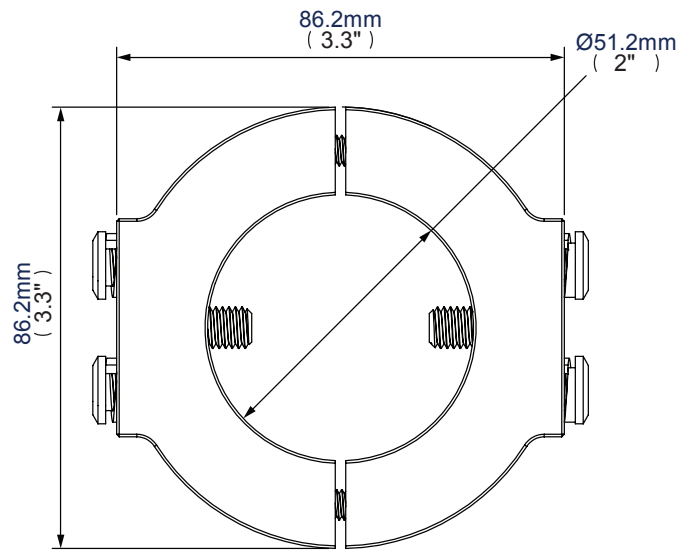


Ideal for a range of mounts and accessories

50mm Accessory Collar

For more information please visit www.btechavmounts.com/BT7841

BT7841



Top View



Side View

Colour:	Order Ref:	EAN Code:	Master Carton Qty:	Inner Carton Qty:	Master Carton Weight:	Master Carton Cube:
Black	BT7841/B	5019318079504	4	10	8.35kg (18.41lbs)	0.016cbm (0.565cuft)

This information is intended as a guide only and reflects the current specification at the time of print. B-Tech accepts no liability for the accuracy of the information contained in this document.