



**HEAVY
DUTY 6MM
STEEL**

BT7822

HEAVY DUTY FLOOR / CEILING MOUNT FOR Ø50MM POLES



Made from heavy duty 6mm thick steel, the BT7822 is a robust mounting solution designed to mount Ø50mm poles to the floor or ceiling. Capable of supporting heavy loads, it is the ideal solution for ceiling mounted flat screen or projector installs, ranging from basic setups to complex installations that feature multiple screens or AV components.

SPECIFICATION

Steel Thickness	6mm
Max Load	150kg*
Elevation / Drop	141mm
Plate Diameter	150mm (without covers)
Colour	Black or Chrome

**Max load can be increased when used as part of a floor to ceiling installation*

FEATURES

- Can be used to mount poles to the ceiling or to the floor
- Heavy duty steel capable of supporting substantial loads
- Multiple grub screws ensure that mounted poles can hang perpendicular to the ceiling / floor, even with heavy loads attached
- Integrated cable management through the top or side of the mount
- Internal end stop prevents pole from dropping through the mount during the installation process (whilst floor mounting)
- Includes cover plate to hide fixings
- Supplied with safety bolt for secure installation



Ideal for mounting screens and projectors to the ceiling



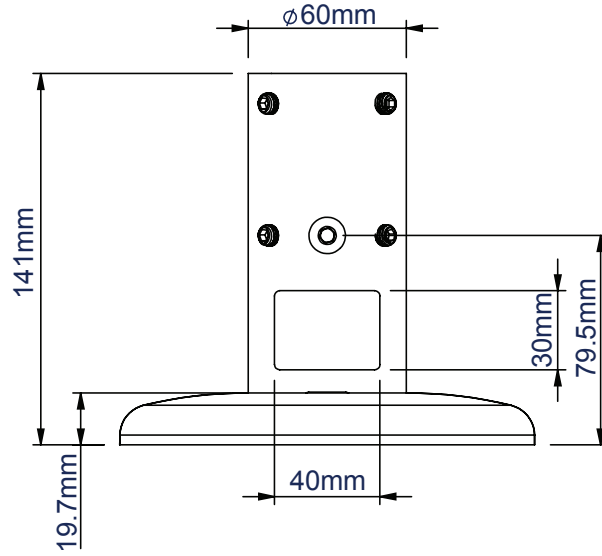
Integrated cable management to hide unsightly cables



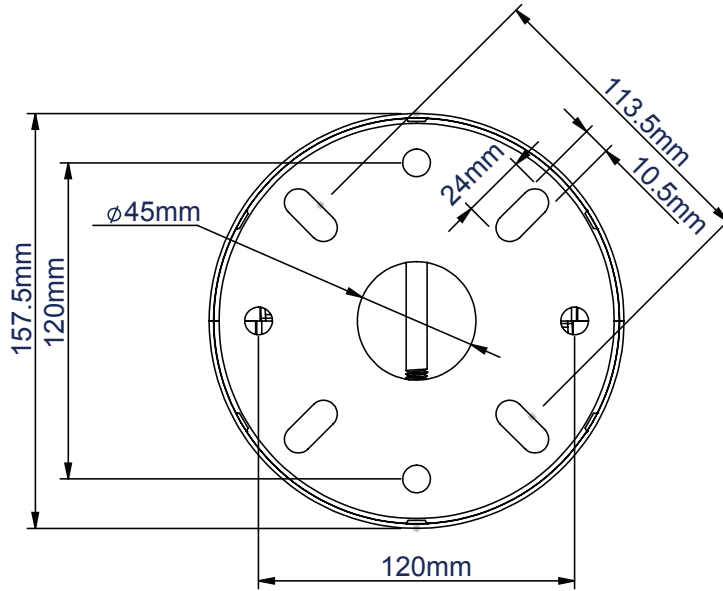
Cover plate included for a neat and tidy installation



Also available with Chrome finish



SIDE VIEW



TOP VIEW

PACKING INFORMATION

COLOUR:	ORDER REF:	EAN CODE:	MASTER CARTON QTY:	INNER CARTON QTY:	MASTER CARTON WEIGHT:	MASTER CARTON CUBE:
Black	BT7822/B	5019318759659	1	0	1.6kg	0.005cbm
Chrome	BT7822/C	5019318078354	1	0	1.6kg	0.005cbm

ACCESSORIES AND RELATED PRODUCTS FOR USE WITH BT7806

<p>BT7850</p> 	<p>BT7841</p> 	<p>BT7831</p> 	<p>BT7056</p> 
--	--	---	--

50mm diameter poles available in different lengths up to 3m

50mm Accessory Collar for fixing mounts & accessories to Ø50mm poles

Wall Mounting Bracket for use in floor-to-wall or ceiling-to-wall installs

Floor Fixing Kit for use in floor-to-wall or ceiling-to-wall installs

© 2016 B-Tech Av Mounts (UK) Ltd. All rights reserved. The information in this specification is current technical specifications at the time of print. We reserve the right to change the technical or physical specifications without prior notice. This is a trademark of B-Tech Av Mounts (UK) Ltd. B-Tech Av Mounts (UK) Ltd. is not responsible for loss or damage caused by improper or misuse of our products. Any reproduction or transmission or publication of any part of this specification is expressly prohibited unless prior written permission has been granted by B-Tech Av Mounts (UK) Ltd. SS-7822-V2, 1-040516